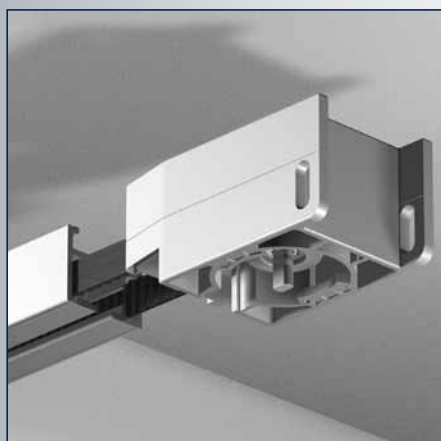
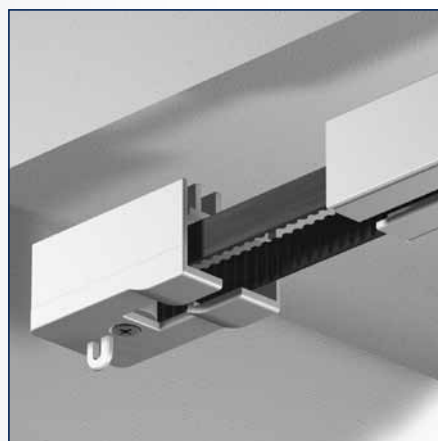




Manual operation



Motor driving unit for toothbelt



Idler for toothbelt



## Curtain rail



No	Length	Color	Quantity
2660001	7 m	white	5 pcs.
2660000	7 m	anodised	5 pcs.
2660002	7 m	black	5 pcs.

## Set with accessories (max. length 21 m)



No	Length	Color	Quantity
2660138	<=1 m	white	1 pc.
2660139	1,0 - 1,5 m	white	1 pc.
2660140	1,5 - 2,0 m	white	1 pc.
2660141	2,0 - 2,5 m	white	1 pc.
2660143	2,5 - 3,0 m	white	1 pc.
2660145	3,0 - 3,5 m	white	1 pc.
2660147	3,5 - 4,0 m	white	1 pc.
2660149	4,0 - 4,5 m	white	1 pc.
2660151	4,5 - 5,0 m	white	1 pc.
2660153	5,0 - 5,5 m	white	1 pc.
2660155	5,5 - 6,0 m	white	1 pc.
2660157	6,0 - 6,5 m	white	1 pc.
2660159	6,5 - 21 m	white	1 pc.

## Set with accessories (max. length 21 m)



No	Length	Color	Quantity
2660195	<= 1 m	anodised	1 pc.
2660196	1,0 - 1,5 m	anodised	1 pc.
2660197	1,5 - 2,0 m	anodised	1 pc.
2660142	2,0 - 2,5 m	anodised	1 pc.
2660144	2,5 - 3,0 m	anodised	1 pc.
2660146	3,0 - 3,5 m	anodised	1 pc.
2660148	3,5 - 4,0 m	anodised	1 pc.

No	Length	Color	Quantity
2660150	4,0 - 4,5 m	anodised	1 pc.
2660152	4,5 - 5,0 m	anodised	1 pc.
2660154	5,0 - 5,5 m	anodised	1 pc.
2660156	5,5 - 6,0 m	anodised	1 pc.
2660158	6,0 - 6,5 m	anodised	1 pc.
2660160	6,5 - 21 m	anodised	1 pc.

## Runner with turnable eye



No	Color	Quantity
2660011	white	100 pcs.

## Runner heavy duty



No	Color	Quantity
2660012	white	500 pcs.
2660136	grey	500 pcs.

## Master glider with long overlap of 11 cm



No	Side	Material	Quantity
2660104	left	steel	10 pcs.
2660105	right	steel	10 pcs.

## Endstop



No	Color	Quantity
2660018	white	50 pcs.

Endstop longated eye



No			
2190059	-	white	100 pcs.
2190060	-	zinc	100 pcs.

Endstop small eye



No			
2190057	-	white	100 pcs.

Ceiling bracket



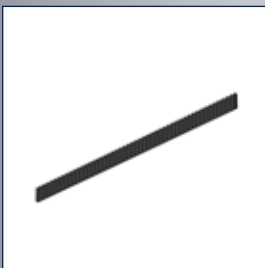
No			
2660016	-	zinc	100 pcs.

Wall bracket



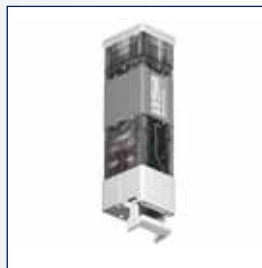
No			
4000200	15 -> 19 cm	white	6 pcs.
4000199	15 -> 19 cm	anodised	6 pcs.

Toothbelt transport



No			
2660096	600 m	black	1 pc.

Motor (without motorplug 6 poles)



No			
2660107	30W	white	1 pc.
2660108	45W	white	1 pc.
2660119	60W	white	1 pc.

Motor tandem (without motorplug 6 poles)



No			
2660122	30W	white	1 set.
2660123	45W	white	1 set.
2660164	60W	white	1 set.

Motor built in receiver and transformer included



No			
2660134	24volt	white	1 pc.



Manual operation



2660030	4 m	white	1 pc.

Driving unit for toothbelt (idler included)



2660125	-	white	1 set

Driving set tandem for toothbelt



2660126	-	white	1 set

Motorplug 6 poles 220V



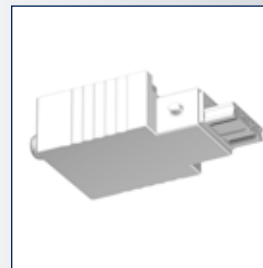
2660034	-	white	1 pc.

Remote control with 7 channels



2660121	-	white	1 pc.

Plug-in receiver incl. (for all motors 220V)



2660118	-	white	1 pc.

Switch



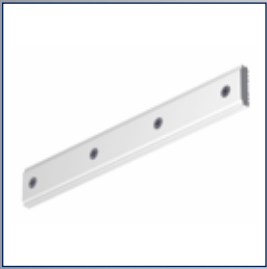
2660060	-	white	1 pc.

Receiver / Switch



2660067	-	white	1 pc.

## Connector



2660020



alu



anodised



10 pcs.

## Curve 90°



2660021



rad. 35 cm

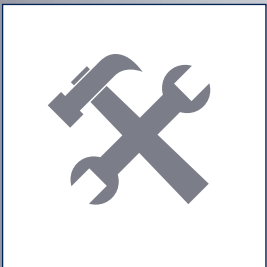


white



1 pc.

## Tools

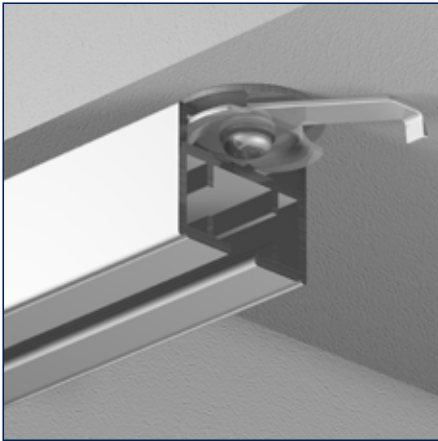


2660185



Fillers for bendingtool 1 set





Ceiling bracket



Motor with motorplug



Runner with turnable eye



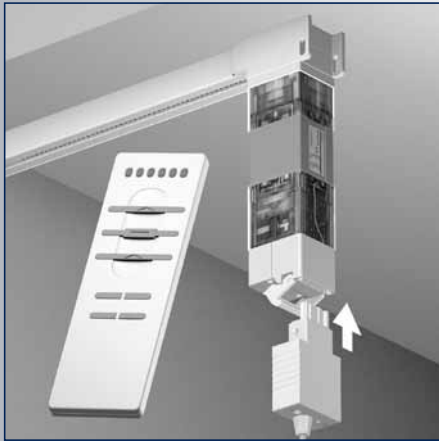
Runner heavy duty



Master glider with long overlap of 11 cm



Connector



Plug-in receiver included for all motors  
220V



Remote control and receiver / switch

 **THOMAS REGOUT B.V.**  
A REGOUT GROUP COMPANY

Industrieweg 40, 6219 NR Maastricht  
P.O. Box 4306, 6202 VA Maastricht  
The Netherlands  
T +31 43 351 66 66  
F +31 43 351 66 98  
e-mail: [rail@tregout.nl](mailto:rail@tregout.nl)

[www.thomasregout.nl](http://www.thomasregout.nl)